

HYGIENIC SEAL

MODEL
X6.08



PRODUCT DESCRIPTION

These seals are used where a high amount of hygiene is required, such as food processing units or medical research labs. These diaphragm seals must comply with FDA requirements and Clean in place (CIP) methodologies. They help eliminate any risk of bacterial growth or contamination. All diaphragm seals are coupled and fastened to the instruments through a label seal. The tampering of the label seal or of the diaphragm seal/instrument coupling compromises their operation and warranty.



HYGIENIC SEAL

MODEL
X6.08

KEY FEATURES

- Robust Design
- Optional Flushing ring
- Optional exotic materials
- Light Weight
- All AISI 316 SS construction

SPECIFICATIONS

Mounting	:	Direct
Instrument Connection	:	½" BSP (F)
Process Connection	:	1", 1½", 2", 2½", 3
Sealing Fluids	:	Silicon DC 200
Range	:	As per customer requirement
Process temperature	:	-40...205°C

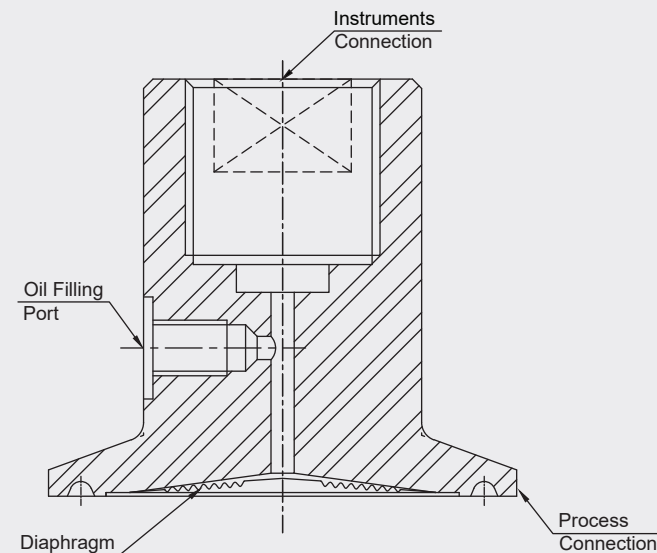
APPLICATION

- Separation systems
- Isolation Applications
- Viscous & corrosive media
- High-pressure / vibration areas

MATERIAL OF CONSTRUCTION

Seal Material	:	SS 316L
Diaphragm	:	SS 316L

DIMENSIONAL DRAWINGS



Important Notes: Above drawings are not to scale. All Dimension are in mm

HYGIENIC SEAL

MODEL X6.08

MODEL CODING & ORDERING INFORMATION

DESCRIPTION	CODE	X6.08	XXX	IT	SV4	S6	SL	L3	14NF	10TC	S4	S6
Model Hygienic Seal	X6.08	X6.08										
Range As per customer requirement	XXX		XXX									
Assembly Integral type	IT			IT								
Version Tri-clover DIN 11854 SMS RTJ / APV IDF / ISS	SV4 SV5 SV6 SV7 SV8				SV4							
Seal Material SS 316 SS 316L	S6 SL					S6						
Diaphragm SS 316L Monel 400 Hast C-276 Duplex SS 2205 Inconel 625 Inconel 825 Titanium Tantalum	SL M4 HC DU I5 I2 TI TA						SL					
Filling Fluid Silicon DC200 (-45° to 205°C) Silicon DC704 (10° to 337°C) Silicon DC710 (-40° to 371°C) Food Grade Oil (-20° to 140°C) Syltherm 800 (-40° to 315°C) Syltherm XLT (-100° to 260°C) Halocarbon Oil Fluorolube 4.2 (-45° to 175°C) Fluorolube 6.3 (-40° to 235°C) Fluorolube FS-5 (-28° to 148°C)	L1 L2 L3 L4 L5 L6 L7 L8 L9 L10							L3				
Instrument Connection ¼" NPT (F) ¼" BSP (F) ⅜" NPT (F) ⅜" BSP (F) ½" NPT (F) ½" BSP (F)	14NF 14BF 38NF 38BF 12NF 12BF								14NF			
Process Connection 1" (25 mm) 1½" (40 mm) 2" (50 mm) 2½" (63 mm) 3" (75 mm)	10TC 15TC 20TC 25TC 30TC									10TC		
Capillary SS 304 SS 316 SS 316L None	S4 S6 SL XX										S4	
Armour SS 304 SS 316 SS 316L PVC None	S4 S6 SL PV XX											S6

HYGIENIC SEAL

MODEL X6.08

MODEL CODING & ORDERING INFORMATION

DESCRIPTION	CODE	XXX	X17
Capillary Length 1 M up to 5 M	XXX	XXX	
Other Options			X17
Material Test Certificate	X17		
Tested to NACE Standard	X20		
Helium Leak Test	X22		
PTFE Coating	X33		
Gold plating on diaphragm	X92		

SAMPLE ORDERING CODE:

X6.08-XXX.IT.SV4.S6.SL.L3.14NF.10TC.S4.S6.XXX.X17

Note: Specifications and dimensions given in this product catalogue represents the state of engineering at the time of printing. Modifications may take place and material specified may be replaced by others without prior notice