

INVERTED FLANGED SEAL

MODEL
X6.06



PRODUCT DESCRIPTION

Diaphragm seals are provided in the instruments like pressure gauges, switches, transmitters in order to isolate the sensing element from the main service due to its corrosive, viscous and sedimented nature and to avoid clogging and solidification. This can be widely used with anti corrosive treatment/protection & various flanged sizes



INVERTED FLANGED SEAL

MODEL X6.06

KEY FEATURES

- Optional Flushing Ring
- Optional exotic material
- Large volume type design
- To facilitate smaller flange size
- 'I' Section design

SPECIFICATIONS

Mounting	:	Direct
Instrument Connection	:	½" BSP (F)
Process Connection	:	Flange (½"...3" as ANSI B16.5)
Surface Finish	:	63AARH /125..250 AARH / 250..500 AARH
Sealing Fluids	:	Silicon DC 200
Range	:	As per customer requirement
Process temperature	:	-40...205°C

APPLICATION

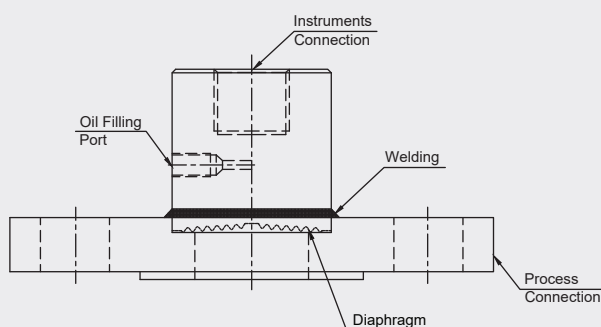
- Separation systems
- Isolation Applications
- Viscous & corrosive media
- High-pressure / vibration areas
- Avoid clogging and solidification

MATERIAL OF CONSTRUCTION

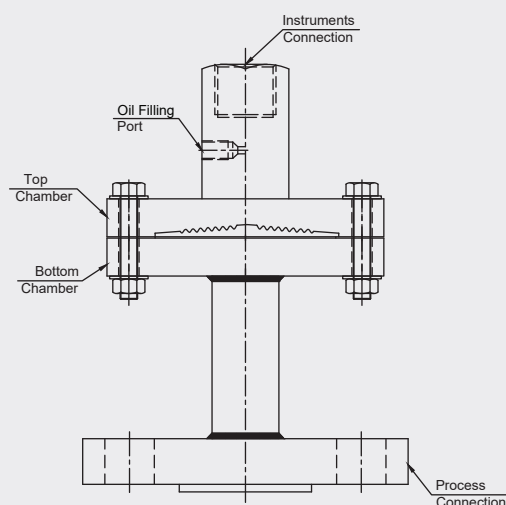
Top Chamber	:	SS 304
Diaphragm	:	SS 316L
Bottom Chamber:		SS 316
Flange	:	A105 / SS 304 / SS 316
Wetted Parts & Diaphragm	:	SS 316 / SS 316L / Monel 400 / Hast C-276 / Tantalum Titanium / Inconel
Sealing Gasket	:	PTFE
Nuts & Bolts	:	SS 304

DIMENSIONAL DRAWINGS

Inverted Chamber



Inverted flanged Seal



Important Notes: Above drawings are not to scale. All Dimension are in mm

INVERTED FLANGED SEAL

MODEL X6.06

MODEL CODING & ORDERING INFORMATION

DESCRIPTION	CODE	X6.06	XXX	IT	FV	S4	SL	PT	S6	L1	14NF
Model Inverted Flanged Seal	X6.06	X6.06									
Range As per customer requirement	XXX		XXX								
Assembly Integral Type	IT			IT							
Capillary Type	CT										
Version Machined	MV										
Forged	FV				FV						
Top Chamber SS 304	S4					S4					
SS 316	S6										
SS 316L	SL										
Diaphragm SS 316L	SL						SL				
Monel 400	M4										
Hast C-276	HC										
Inconel 625	I5										
Inconel 825	I2										
Duplex SS 2205	DU										
Titanium	TI										
Tantalum	TA										
Sealing Gasket PTFE	PT							PT			
Bottom Chamber SS 304	S4										
SS 316	S6								S6		
SS 316L	SL										
SS 316 / SS 316L	DC										
Monel 400	M4										
Hast C-276	HC										
Inconel 625	I5										
Inconel 825	I2										
Duplex SS 2205	DU										
Filling Fluid Silicon DC200 (-45° to 205°C)	L1									L1	
Silicon DC704 (10° to 337°C)	L2										
Silicon DC710 (-40° to 371°C)	L3										
Food Grade Oil (-20° to 140°C)	L4										
Syltherm 800 (-40° to 315°C)	L5										
Syltherm XLT (-100° to 260°C)	L6										
Halocarbon Oil	L7										
Instrument Connection ½" NPT (M)	12NM										
½" NPT (F)	12NF										
½" BSP (M)	12BM										
½" BSP (F)	12BF										
¼" NPT (M)	14NM										
¼" NPT (F)	14NF										14NF
¼" BSP (M)	14BM										
¼" BSP (F)	14BF										

INVERTED FLANGED SEAL

MODEL X6.06

MODEL CODING & ORDERING INFORMATION

DESCRIPTION	CODE	XXX	S4	S6	XXX	X17
Process Connection Ref Table '1'	XXX	XXX				
Capillary SS 304 SS 316 SS 316L None	S4 S6 SL NA		S4			
Armour SS 304 SS 316 SS 316L PVC None	S4 S6 SL PV NA			S6		
Capillary Length 1 M up to 5 M	XXX				XXX	
Other Options Material Test Certificate Tested to NACE Standard Helium Leak Test PTFP Coating	X17 X20 X22 X36					X17

Table No.1:

AS PER DIN 2642

DN	PN	CODE	DN	PN	CODE	DN	PN	CODE
10	10	A90	10	16	A81	10	40	A99
15		A91	15		A82	15		B01
20		A92	20		A83	20		B02
25		A93	25		A84	25		B03
32		A94	32		A85	32		B04
40		A95	40		A86	40		B05
50		A96	50		A87	50		B06
65		A97	65		A88	65		B07
80		A98	80		A89	80		B08

INVERTED FLANGED SEAL

MODEL X6.06

Table No.1:

AS PER ANSI B 16.5

NOMINAL SIZE	RATING/ CLASS	CODE	NOMINAL SIZE	RATING/ CLASS	CODE	NOMINAL SIZE	RATING/ CLASS	CODE	NOMINAL SIZE	RATING/ CLASS	CODE
1/2"	150	B09	1"	150	B21	1 1/2"	150	B33	2 1/2"	150	B45
	300	B10		300	B22		300	B34		300	B46
	600	B11		600	B23		600	B35		600	B47
	900	B12		900	B24		900	B36		900	B48
	1500	B13		1500	B25		1500	B37		1500	B49
	2500	B14		2500	B26		2500	B38		2500	B50
3/4"	150	B15	1 1/4"	150	B27	2"	150	B39	3"	150	B51
	300	B16		300	B28		300	B40		300	B52
	600	B17		600	B29		600	B41		600	B53
	900	B18		900	B30		900	B42		900	B54
	1500	B19		1500	B31		1500	B43		1500	B55
	2500	B20		2500	B32		2500	B44		2500	B56

SAMPLE ORDERING CODE:

X6.06-XXX.IT.FV.S4.SL.PT.S6.L1.14NF.XXX.S4.S6.XXX.X17

Note: Specifications and dimensions given in this product catalogue represents the state of engineering at the time of printing. Modifications may take place and material specified may be replaced by others without prior notice