

# SLIP RING COUPLED THREADED SEAL

MODEL  
X6.02



## PRODUCT DESCRIPTION

The slip ring coupled threaded seals protect pressure measuring instruments. Used when process compatibility is required, these are also applied when media exhibit high temperature or the potential to clog an instrument connection. The flushing flange or ring is used for flushing solution combined with diaphragm seals. This type of flushing flange or ring is clamped between process nozzle and diaphragm seal.



# SLIP RING COUPLED THREADED SEAL

**MODEL  
X6.02**

## KEY FEATURES

- Diaphragm Directly welded to top Chamber
- Easy to clean
- Easy to change process connection
- Optional exotic material

## APPLICATION

- Separation systems
- Isolation Applications
- Viscous & corrosive media
- High-pressure / vibration areas

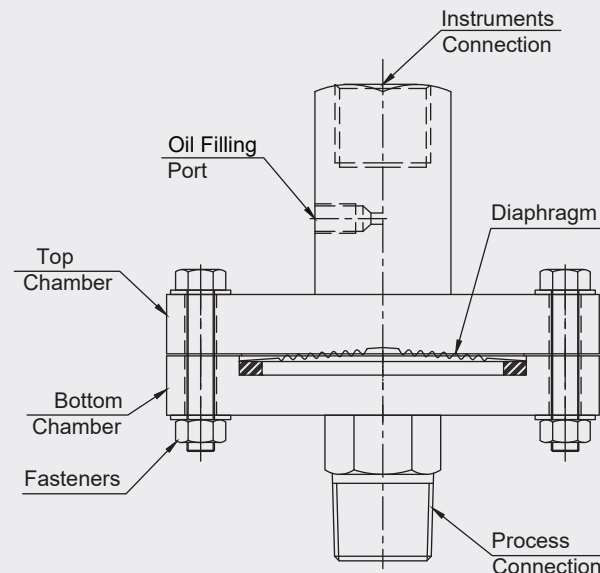
## SPECIFICATIONS

Mounting	:	Direct
Instrument Connection	:	½" BSP (F)
Process Connection	:	½" BSP (M)
Sealing Fluids	:	Silicon DC200
Range	:	As per customer requirement
Process temperature	:	-40...205°C

## MATERIAL OF CONSTRUCTION

Top chamber	:	SS 304 / SS 316
Bottom chamber	:	SS 316
Wetted part & Diaphragm	:	SS 316 / SS 316L / Monel 400 / Hastelloy C-276 / Tantalum / Titanium / Inconel
Clamping Rings	:	Pressed Steel, black powder coated
Nuts & Bolts	:	SS 304

## DIMENSIONAL DRAWINGS



Important Notes: Above drawings are not to scale. All Dimension are in mm

# SLIP RING COUPLED THREADED SEAL

## MODEL X6.02

### MODEL CODING & ORDERING INFORMATION

DESCRIPTION	CODE	X6.02	XXX	IT	FV	S4	S4	SL	PT	S6	L1
<b>Model</b> Slip Ring Coupled Threaded Seal	X6.02	X6.02									
<b>Range</b> As per customer requirement	XXX		XXX								
<b>Assembly</b> Integral Type	IT			IT							
Capillary Type	CT										
<b>Version</b> Machined	MV										
Forged	FV				FV						
<b>Top Chamber</b> SS 304	S4					S4					
SS 316	S6										
SS 316L	SL										
<b>Clamping Rings</b> Pressed Steel	PS										
SS 304	S4						S4				
SS 316	S6										
<b>Diaphragm</b> SS 316L	SL							SL			
Monel 400	M4										
Hast C-276	HC										
Inconel 625	I5										
Inconel 825	I2										
Duplex SS 2205	DU										
Titanium	TI										
Tantalum	TA										
<b>Sealing Gasket</b> PTFE	PT								PT		
<b>Bottom Chamber</b> ASTM A105	A15										
SS 304	S4										
SS 316	S6									S6	
SS 316L	SL										
Monel 400	M4										
Duplex SS 2205	DU										
Hast C-276	HC										
Titanium	TI										
Tantalum	TA										
<b>Sealing Fluid</b> Silicon DC200 (-45° to 205°C)	L1										L1
Silicon DC704 (10° to 337°C)	L2										
Silicon DC710 (-40° to 371°C)	L3										
Food Grade Oil (-20° to 140°C)	L4										
Syltherm 800 (-40° to 315°C)	L5										
Syltherm XLT (-100° to 260°C)	L6										
Halocarbon Oil	L7										

# SLIP RING COUPLED THREADED SEAL

MODEL  
X6.02

## MODEL CODING & ORDERING INFORMATION

DESCRIPTION	CODE	12NF	12NM	S4	S6	XXX	X17
<b>Instrument Connection</b>							
¼" NPT (F)	14NF						
¼" BSP (F)	14BF						
½" NPT (F)	12NF	12NF					
½" BSP (F)	12BF						
<b>Process Connection</b>							
½" NPT (M)	12NM		12NM				
½" BSP (M)	12BM						
¾" NPT (M)	34NM						
¾" BSP (M)	34BM						
1" NPT (M)	25NM						
1" BSP (M)	25BM						
<b>Capillary</b>							
SS 304	S4			S4			
SS 316	S6						
SS 316L	SL						
None	XX						
<b>Armour</b>							
SS 304	S4						
SS 316	S6						
SS 316L	SL				S6		
PVC	PV						
None	XX						
<b>Capillary Length</b>							
1 M up to 5 M	XXX					XXX	
<b>Other Option</b>							
Material Test Certificate	X17						
Tested to NACE Standard	X20						
Helium Leak Test	X22						X17
PTFE lining on bottom chamber/Flange	X32						
PTFE protection on diaphragm	X33						
PTFE coating on diaphragm or wetted parts	X34						

## SAMPLE ORDERING CODE:

**X6.02-XXX.IT.FV.S4.S4.SL.PT.S6.L1.12NF.12NM.S4.S6.XXX.X17**

Note: Specifications and dimensions given in this product catalogue represents the state of engineering at the time of printing. Modifications may take place and material specified may be replaced by others without prior notice.