

# FLUSHING RING

MODEL  
X5.07



## PRODUCT DESCRIPTION

Flushing ring is also known as calibration ring as it is used to apply known pressure & calibrate transmitter against known pressure. Flushing rings are designed to be sandwiched between the processes Flanges & the diaphragm seal in order to avoid the formation of deposited or blockage of the process. It is a wetted part. The ring can also serve as a reducer, a spacer, or a heat sink. the process flange using standardized sealing's. The flushing ring is available with one or two flushing bores located at the side



# FLUSHING RING

## MODEL X5.07

### KEY FEATURES

- With double flushing ports
- Suitable with flanged ,pancake or inline diaphragm seals
- Available in all exotic material grades.

### APPLICATION

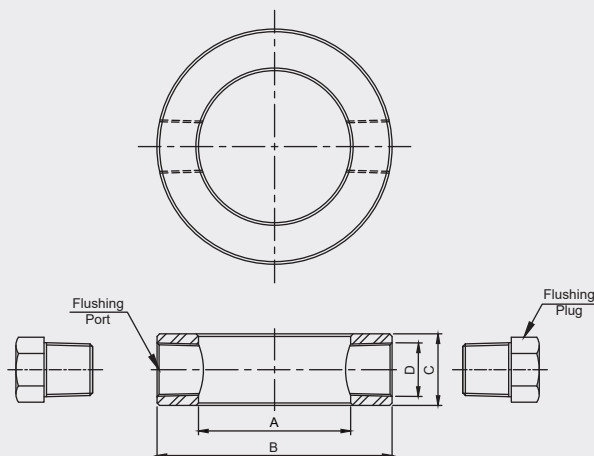
- The flushing ring is designed to be sandwiched between the process flange & the diaphragm seal.
- Material collected in front of diaphragm can be flushed out through the flushing ports.

### SPECIFICATIONS

Flange Size	: ½" to 5" as per ANSI B 16.5
No of ports	: Two
Process Connection	: ¼" NPT (F) with male plug
Sealing Face	: Suitable to raised face of flange

### DIMENSIONAL DRAWINGS

Flushing ring



Flange Size	Class	A	B	C	D
½"	150# to 600#	35	12	30	¼" NPT or ½" NPT
¾"	150# to 600#	43	20	30	
1"	150# to 600#	51	25	30	
1½"	150# to 600#	73	43	30	
2	150# to 600#	92	62	30	
3	150# to 600#	127	92	30	
4	150# to 600#	157	92	30	

Important Notes: Above drawings are not to scale. All Dimension are in mm

# FLUSHING RING

# MODEL X5.07

## MODEL CODING & ORDERING INFORMATION

DESCRIPTION	CODE	X5.07	1	F1	RF	S6	14NF	X17
<b>Model</b>								
Flushing Ring	X5.07	X5.07						
<b>Flange Connection</b>			1					
1/2"	1							
3/4"	2							
1"	3							
1 1/2"	4							
2"	5							
3"	6							
4"	7							
5"	8							
<b>Flange Rating</b>				F1				
150	F1							
300	F3							
400	F4							
600	F6							
900/1500t	F9							
2500	F25							
<b>Sealing Face</b>					RF			
Raised Face	RF							
Flat Face	FF							
RTJ	RT							
<b>Material</b>						S6		
SS 316	S6							
SS 316 / SS 316L DC	DC							
Carbon Steel	CS							
Titanium	TT							
Hast C-276	HC							
Monel 400	MN							
PTFE	PT							
Inconel 625	I5							
Inconel 825	I2							
<b>Flushing Port</b>							14NF	
1/4" NPT (F)	14NF							
1/2" NPT (F)	12NF							
<b>Other Options</b>								X17
Material test certificate	X17							
Tested to NACE Standard	X20							

## SAMPLE ORDERING CODE:

**X5.07.1.F1.RF.S6.14NF.X17**

Note: Specifications and dimensions given in this product catalogue represents the state of engineering at the time of printing. Modifications may take place and material specified may be replaced by others without prior notice.