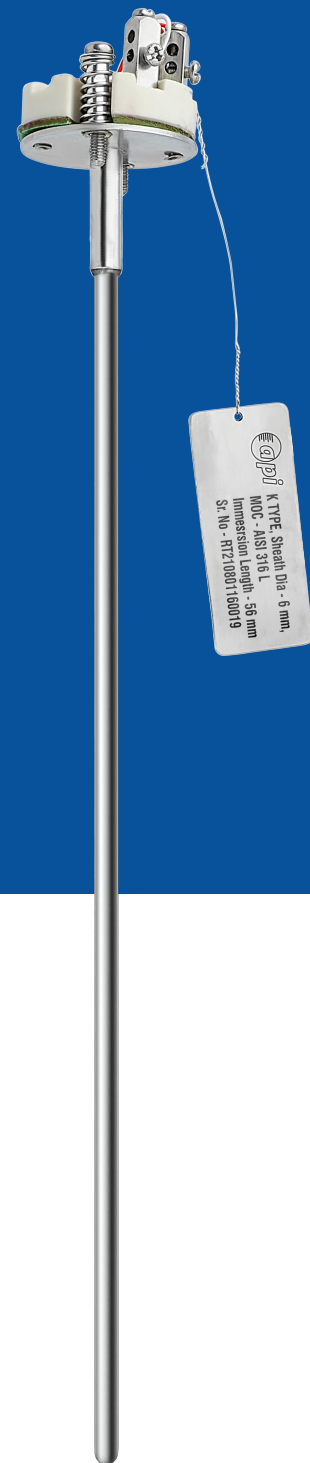


THERMOCOUPLE SPARE INSERT

MODEL
S2.04



PRODUCT DESCRIPTION

Spare Insert thermocouple is used as spare or replacement thermocouple element in existing thermocouple assembly with thermowell protection tubes. The mineral insulation structure enables flexibility & durability. It is available in various sheath diameter & sheath materials.



THERMOCOUPLE SPARE INSERT

MODEL
S2.04

KEY FEATURES

- Mineral Insulated MI Cable
- Spring Loaded Design
- Various Sheath Diameters & Sheath Materials
- Transmitter Output 4-20mA (Optional)
- Standard followed : IEC-584.2 / ANSI MC-96.1

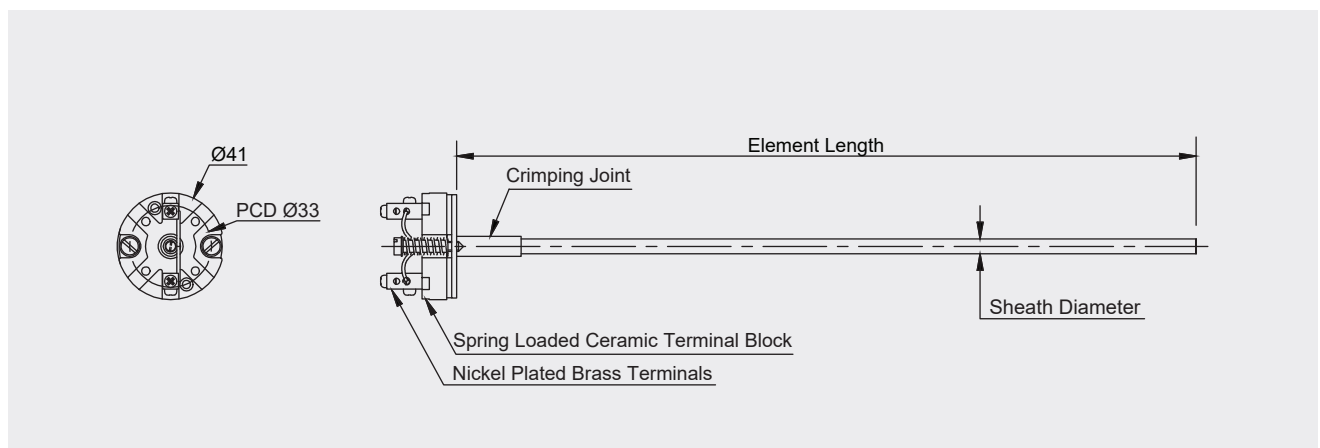
APPLICATION

- Used as Spare or Replacement Thermocouple element in existing
- Thermocouple assembly with thermowell / protecting tubes.

SPECIFICATIONS

No. of element	: Simplex, Duplex
Element Type	: K-type, Standard
Range	: -270...1370 °C
Accuracy	: Class 1 as per IEC-584.2 / ANSI MC - 96.1
Sheath Diameter	: Ø6 mm
Sheath material	: SS 316
Cold-end termination	: Spring Loaded Terminal Block
Element Length 'L' mm:	150mm

DIMENSIONAL DRAWINGS



Important Notes: Above drawings are not to scale. All dimension are in mm

THERMOCOUPLE SPARE INSERT

MODEL S2.04

MODEL CODING & ORDERING INFORMATION

DESCRIPTION	CODE	S2.04	S	K	1	UJ	S	S6	B03	CE4	XXX	X16
Type Thermocouple Spare Insert	S2.04	S2.04										
Version Standard	S		S									
Element Type K-Chromel-Alumel J-Iron-Constantan N-Nicrosil-Nisil E-Chromel-Constantan T-Copper-Constantan R-Platinum 13% Rhodium-Platinum S-Platinum 10% Rhodium-Platinum B-Platinum 6% Rhodium-Platinum 30% Rhodium	K J N E T R S B			K								
Accuracy Class 1 Class 2	1 2				1							
Hot Junction Type Grounded Junction Ungrounded Junction	GJ UJ					UJ						
No of Element Simplex Duplex	S D						S					
Sheath Material SS 316 Inconel 600	S6 I6							S6				
Sheath Diameter Ø3.0 mm Ø6.0 mm Ø8.0 mm	B03 B06 B08								B03			
Cold End Termination Spring Loaded terminal Block OD=55 mm, PCD=46 mm SS Base Plate OD=41 mm, PCD=33 mm SS Base Plate OD=55 mm, PCD=46 mm Spring Loaded terminal Block OD=41 mm, PCD=33 mm	CE4 CE5 CE6 CE7									CE4		
Element length XXX. As per customer requirement in 'mm'	XXX										XXX	
Options Head Mounted transmitter Calibration certificate SS Tag plate	XHT X16 X26											X16

SAMPLE ORDERING CODE:

S2.04-S.K.1.UJ.S.S6.B03.CE4.XXX.X16

Note: Specifications and dimensions given in this product catalogue represents the state of engineering at the time of printing. Modifications may take place and material specified may be replaced by others without prior notice.