

WEATHERPROOF PRESSURE SWITCH

MODEL
C1.01



PRODUCT DESCRIPTION

The weatherproof pressure switches are designed to be weather tight for external use. They are built to stand up to the rigors of the environment and provide long-lasting and dependable Service. Weatherproof pressure switch is well-suited for high pressure applications in non-hazardous locations, particularly when high repeatability and narrow dead band are required.



WEATHERPROOF PRESSURE SWITCH

MODEL C1.01

KEY FEATURES

- Fix / Adjustable differential
- Filled adjustable set point
- Set point adjustment with locking
- Diaphragm Seal (optional)
- Weatherproof to IP 66

SPECIFICATIONS

Ambient Temperature	: -10..60 °C
Repeatability	: ± 0.5% of full scale
Scale Accuracy	: ± 1% of full scale
Over Pressure limit	: 150% of FS
Scale Unit	: bar
Range Adjustment	: External
Differential	: Fixed
Mounting	: Bottom
Switch	: 1SPDT Snap action micro switch
Switch Rating	: 15A 250VAC / 0.2A,24VDC
Set point	: Between 20 to 80% full scale
Maximum process temperature	: 150 °C
Process Connection	: ¼" NPT (F)
Ingress Protection	: IP66

APPLICATION

- Textile machineries
- Power & steel plants
- Oil & gas, refineries
- Cement & glass industries
- Railway engines & Turbines
- Petrochemical & fertilizers
- Marine & furnace applications

MATERIAL OF CONSTRUCTION

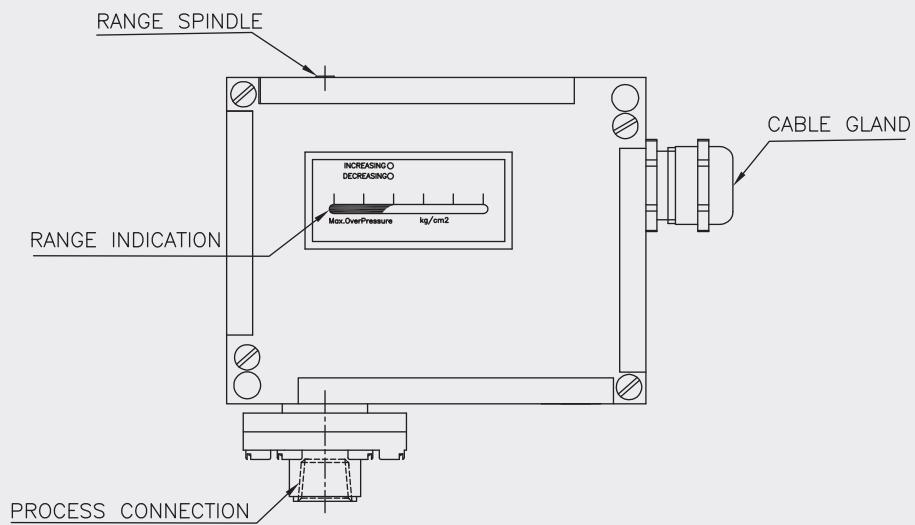
Sensing Element	: SS 316L Diaphragm
Enclosure Material	: Pressure Die cast aluminum
Top chamber	: Mild Steel
Bottom Chamber	: SS 316L
Gasket	: Neoprene

WEATHERPROOF PRESSURE SWITCH

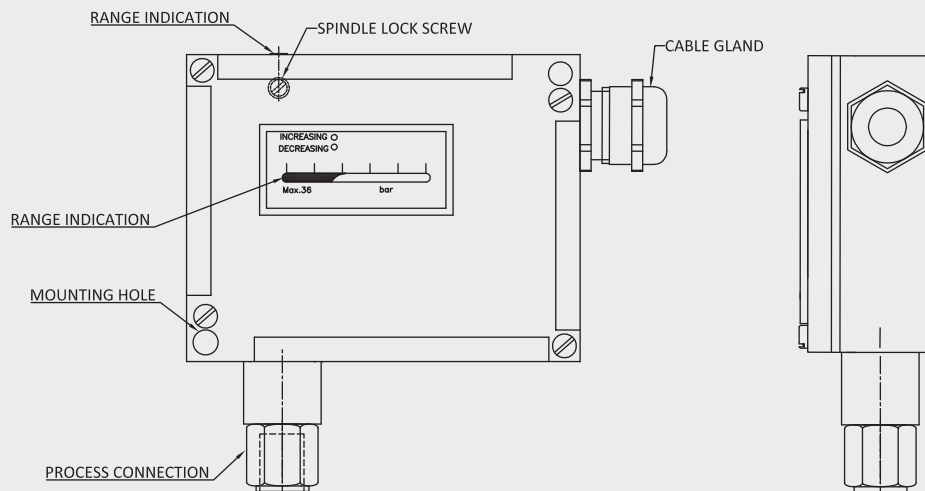
MODEL
C1.01

Dimensional Drawing:

Diaphragm Pressure Switch



Piston Pressure Switch



WEATHERPROOF PRESSURE SWITCH

MODEL C1.01

MODEL CODING & ORDERING INFORMATION

DESCRIPTION	CODE	C1.01	DM	XXX	MS	S6	HC	F	K2	XXX	C1	S6	14NM	E7
Model Weatherproof pressure switch	C1.01	C1.01												
Type Diaphragm Piston	DM PO		DM											
Range As per table-1	XXX			XXX										
Chamber Material Top Mild Steel-Plated SS 304 SS 316 SS 316L	MS S4 S6 SL				MS									
Chamber Material Bottom SS 316 SS 316L Hast C-276 Monel 400	S6 SL HC M4					S6								
Sensing Element SS 316 Hast C-276 Monel 400	S6 HC M4						HC							
Differential Fixed Adjustable	F A							F						
Type of Micro switch 1 SPDT 1 DPDT 2 SPDT	K2 K3 K4								K2					
Micro Switch Rating As per table-2	XXX									XXX				
Calibration Increasing Decreasing	C1 C2										C1			
Wetted Part SS 316 SS 316L	S6 SL											S6		
Process Connection 1/4" NPT (M) 1/4" NPT (F) 3/8" BSP (M) 3/8" BSP (F) 1/2" BSP (M) 1/2" BSP (F) 1/2" NPT (M) 1/2" NPT (F) Flange as per table-3	14NM 14NF 38BM 38BF 12BM 12BF 12NM 12NF XXX												14NM	
Cable Entry DIN connection PG 13.5 (Standard) 3/4" ET DCCG SS 3/4" ET 1/2" NPT (F) 1/2" NPT (F) DCCG SS 3/4" ET DCCG Brass 1/2" NPT DCCG Brass 4 PIN Connector 7 PIN Connector	E7 E8 E9 E10 E11 E12 E13 E14 E15 E16													E7

WEATHERPROOF PRESSURE SWITCH

MODEL C1.01

MODEL CODING & ORDERING INFORMATION

DESCRIPTION	CODE	X16
Other Options		
2" Pipe Mounting		
2" Pipe Mounting & 'U' clamp (SS 316)	XB4	
Calibration Certificate	X16	X16
SS Tag plate	X26	
Material Test Certificate	X17	
Wetted part complied to NACE	X20	
Oxygen Service	X21	
Wall mounting bracket	X61	

Table-1 (Range Table with 1 SPDT Only)

ORDERING CODE	RANGE (mbar)	Ordering code	RANGE (bar)	Ordering code	RANGE (bar)
SP20	-20 to 20	B001	0.1 to 1	D011	-1 to 1
SP40	-40 to 40	B002	0.2 to 2	D012	-1 to 2
S040	3 to 20	B004	0.4 to 4	D014	-1 to 4
S060	5 to 60	B006	0.6 to 6	E001	-1 to 0
S100	10 to 100	B010	1 to 10		
S250	25 to 250	B016	1 to 16		
S400	40 to 400	B025	2 to 25		
S600	60 to 600	B032	2 to 32		
		B040	2 to 40		

Table-2 (Micro Switch Rating)

Switch CODE	Description	AC Rating	AC Rating (Resistive)	DC Rating (Inductive)
SPL	Low dead band & fixed	15A 250V	2A 24V 0.4A 110V 0.2A 220V	2A 24V 0.4A 110V 0.2A 220V
SPH	Standard dead band	15A 250V	6A 24V 0.5A 110V 0.25A 220V	5A 24V 0.05A 110V 0.03A 220V
SPA*	Adj. differential micro switch	15A 250V		
HSS**	Hermetically sealed silver plated	4A 230V	3A 28V	2A 24V
DPD	DPDT Micro switch	10A 125V	0.2A 250V	
SP1***	Standard dead band	5A 250V		

Note:* For 1 SPDT switch only. ** For 1 SPDT switch only & for range code B004 to B040 only. *** For 2 SPST adjustable differential switch only)

WEATHERPROOF PRESSURE SWITCH

MODEL C1.01

Table -1 AS PER ANSI B 16.5

NOMINAL SIZE	RATING/ CLASS	CODE	NOMINAL SIZE	RATING/ CLASS	CODE	NOMINAL SIZE	RATING/ CLASS	CODE	NOMINAL SIZE	RATING/ CLASS	CODE
1/2"	150	B09	1"	150	B21	1 1/2"	150	B33	2 1/2"	150	B45
	300	B10		300	B22		300	B34		300	B46
	600	B11		600	B23		600	B35		600	B47
	900	B12		900	B24		900	B36		900	B48
	1500	B13		1500	B25		1500	B37		1500	B49
	2500	B14		2500	B26		2500	B38		2500	B50
3/4"	150	B15	1 1/4"	150	B27	2"	150	B39	3"	150	B51
	300	B16		300	B28		300	B40		300	B52
	600	B17		600	B29		600	B41		600	B53
	900	B18		900	B30		900	B42		900	B54
	1500	B19		1500	B31		1500	B43		1500	B55
	2500	B20		2500	B32		2500	B44		2500	B56

SAMPLE ORDERING CODE:

C1.01-DM.XXX.MS.S6.HC.F.K2.XXX.C1.S6.14NM.E7.X16

Note: Specification's and dimensions given in this product catalogue represents the state of engineering at the time of printing. Modifications may take place and material specified may be replaced by others without prior notice.